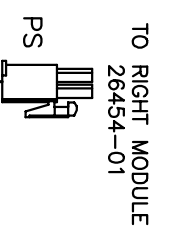


TO LEFT DOOR
26763-01

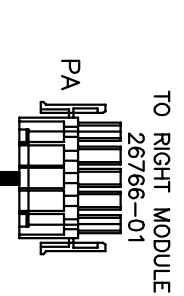


TO LEFT DOOR
26076-01

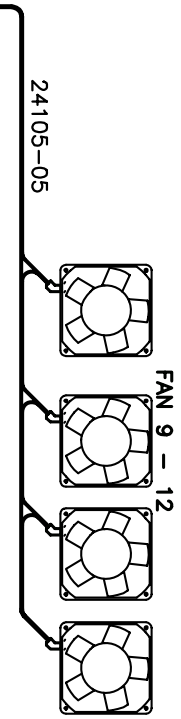
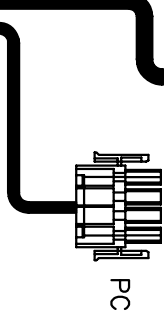
756V '06 LEFT MODULE 27377-01, REV A



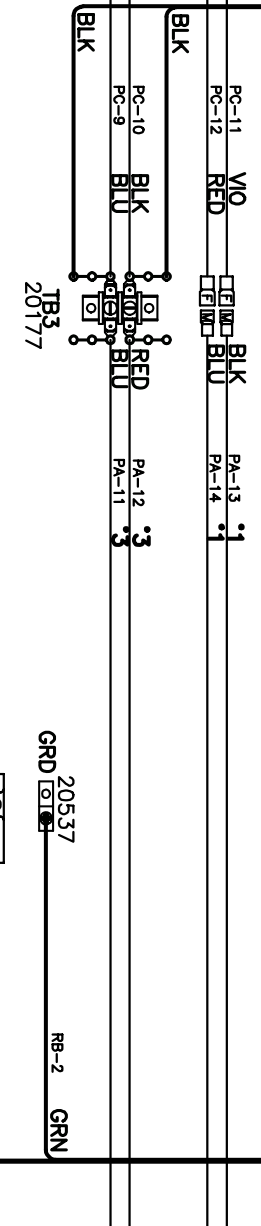
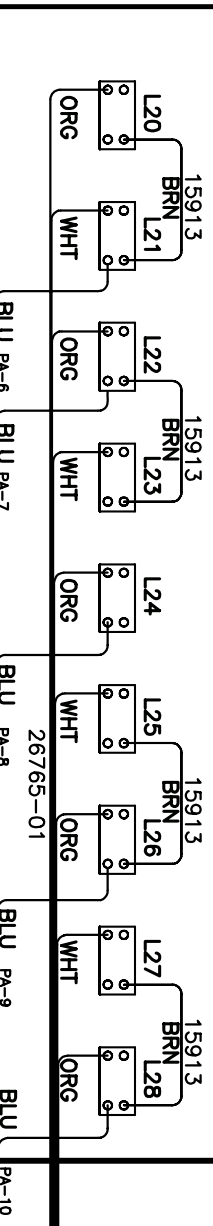
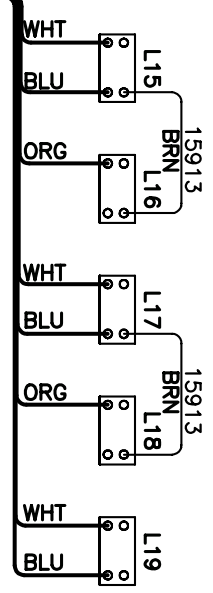
TO RIGHT MODULE
26454-01



TO RIGHT MODULE
26766-01

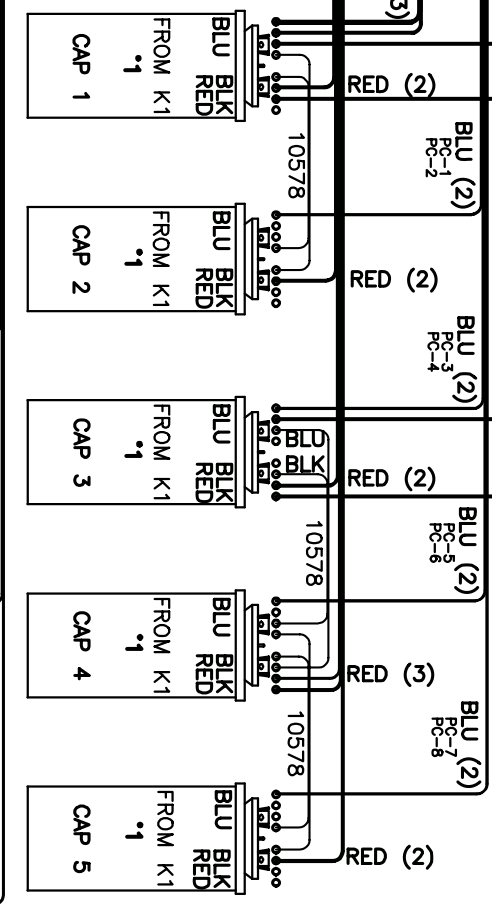
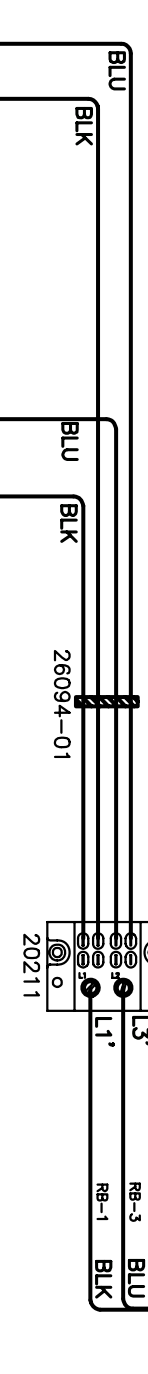


TO RIGHT MODULE
26080-01



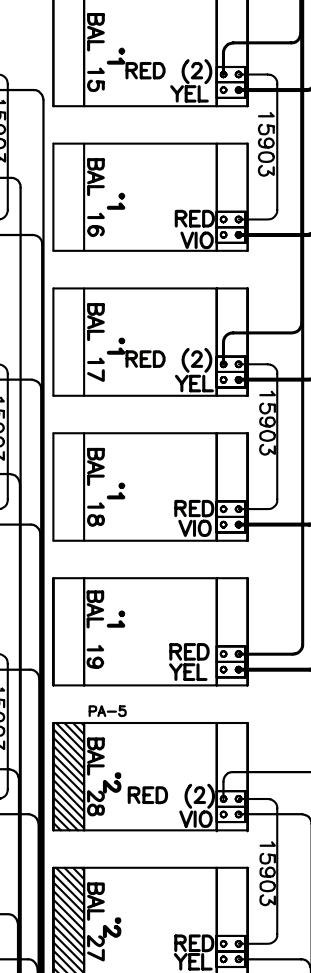
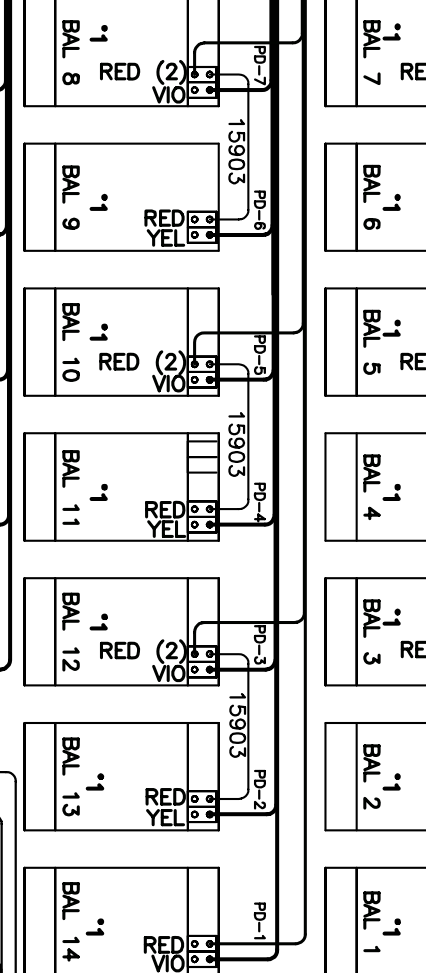
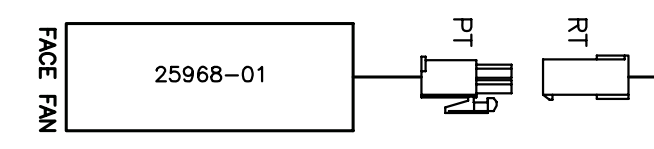
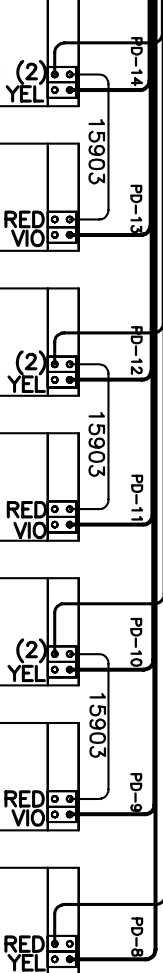
26764-01

26076-01

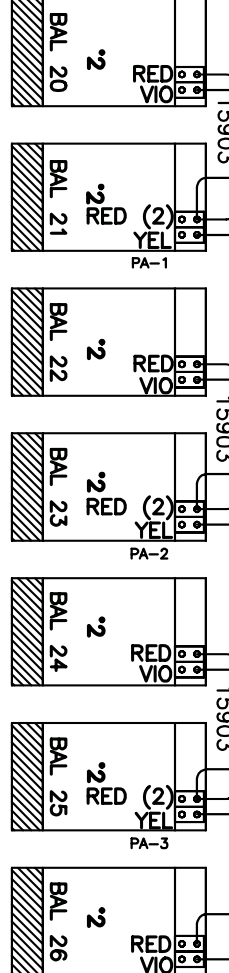


26763-01

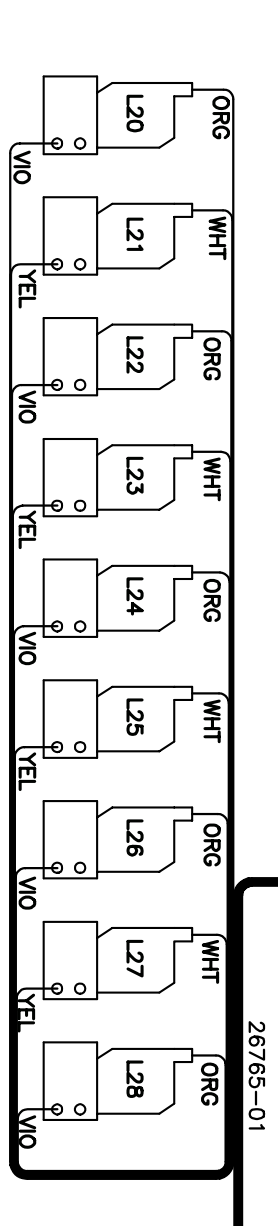
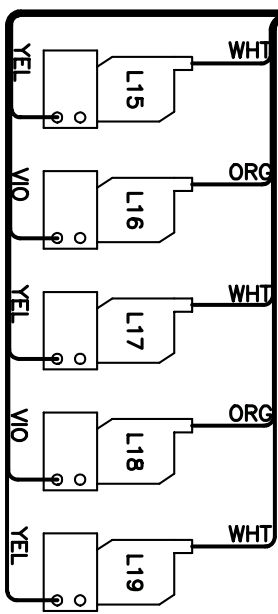
26767-01



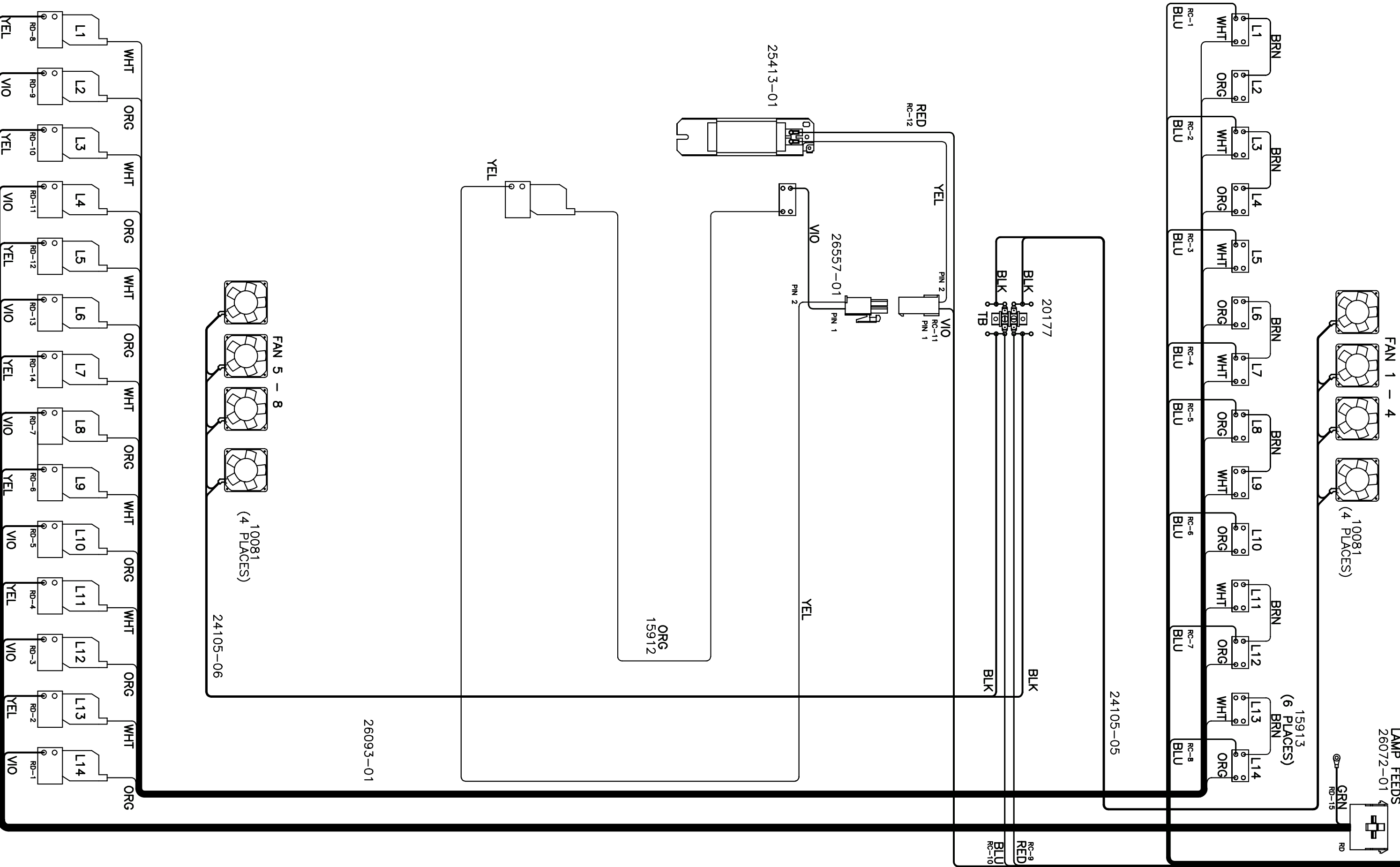
26766-01



26765-01



756V
LEFT DOOR
VIEWED FROM LAMP SIDE
26670-01, REV A

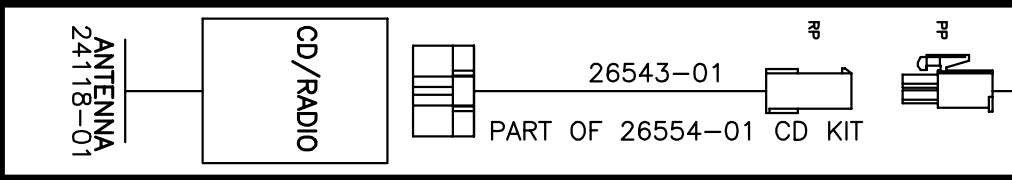


FROM LEFT
MODULE
LAMP RETURNS
26556-01

FROM LEFT
MODULE
LAMP FEEDS
26072-01

FROM
RIGHT
MODULE
AUDIO
26550-01

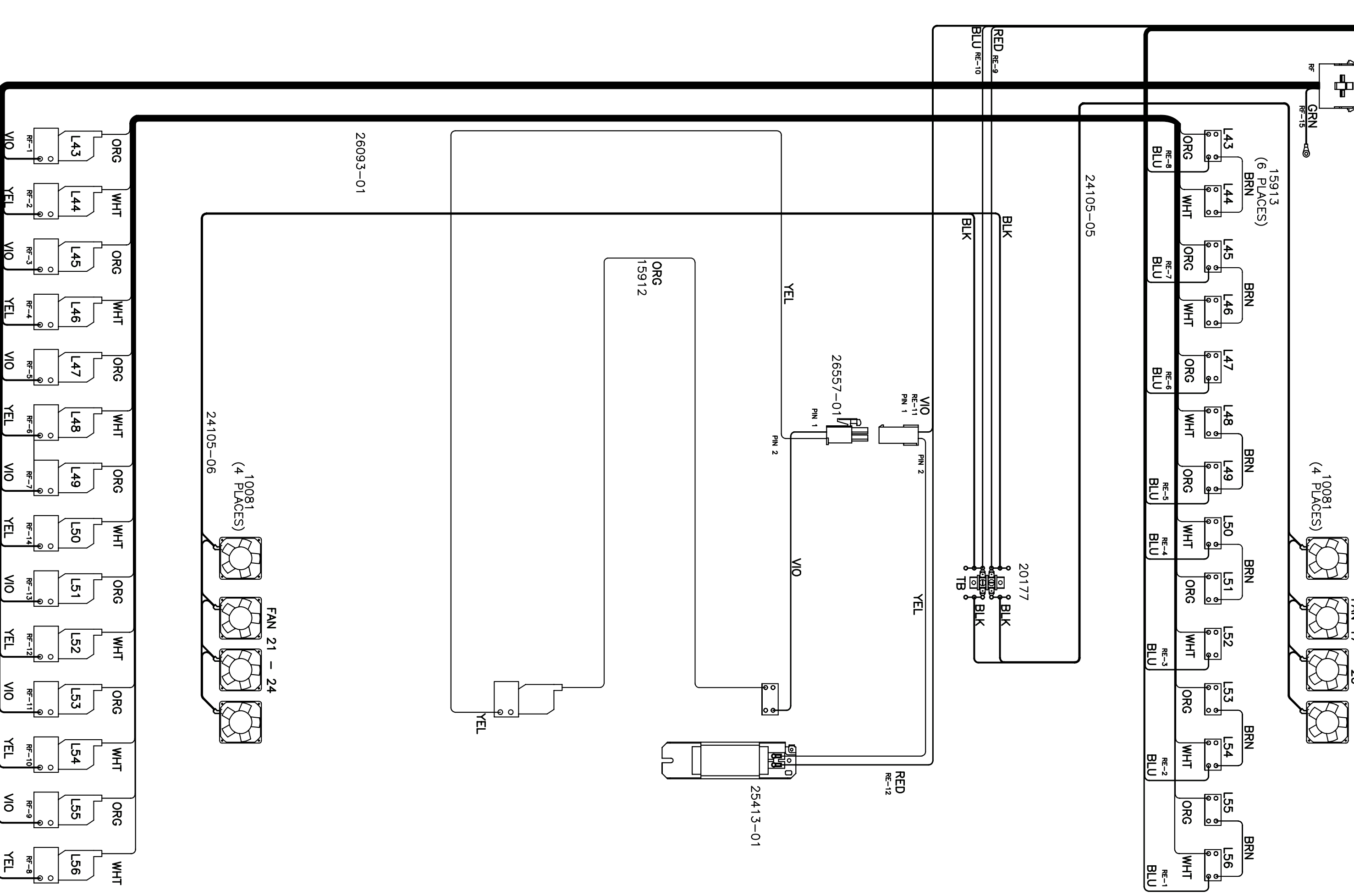
USED ON ELITE 756V MODEL ONLY
FOR COMPLETE AUDIO DIAGRAM SEE DRAWING 26671-01



FROM LEFT MODULE
LAMP RETURNS
26556-01

756V RIGHT DOOR VIEWED FROM LAMP SIDE 26670-01, REV A

FROM LEFT MODULE
LAMP FEEDS
26072-01



26093-01

24105-06

10081
(4 PLACES)

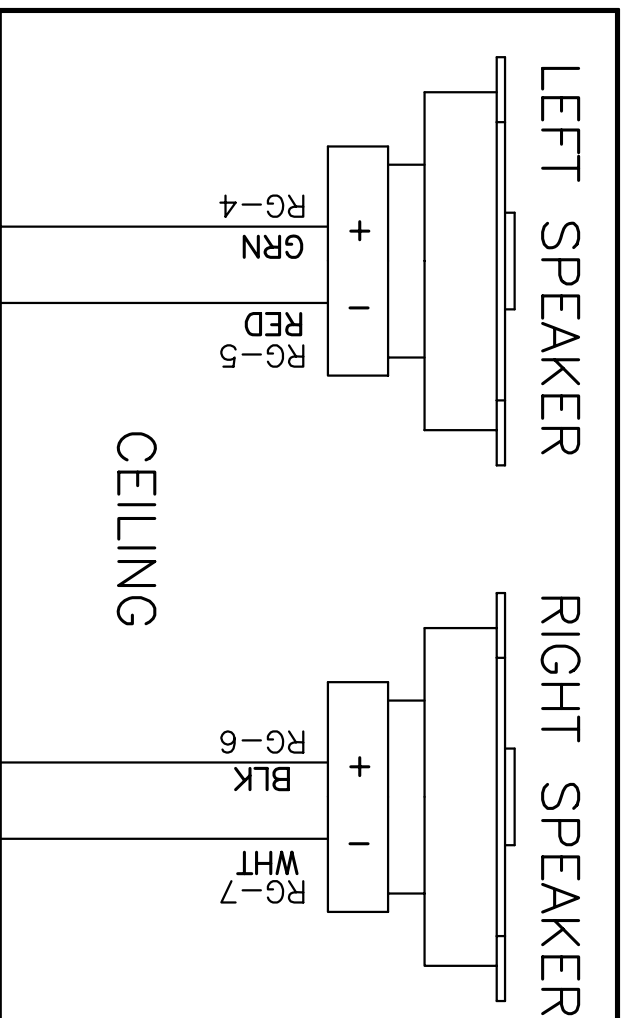
FAN 17 - 20

- | | | | |
|-----|-----|-------|-----|
| ORG | L43 | RF-1 | VIO |
| WHT | L44 | RF-2 | YEL |
| ORG | L45 | RF-3 | VIO |
| WHT | L46 | RF-4 | YEL |
| ORG | L47 | RF-5 | VIO |
| WHT | L48 | RF-6 | YEL |
| ORG | L49 | RF-7 | VIO |
| WHT | L50 | RF-14 | YEL |
| ORG | L51 | RF-13 | VIO |
| WHT | L52 | RF-12 | YEL |
| ORG | L53 | RF-11 | VIO |
| WHT | L54 | RF-10 | YEL |
| ORG | L55 | RF-9 | VIO |
| WHT | L56 | RF-8 | YEL |

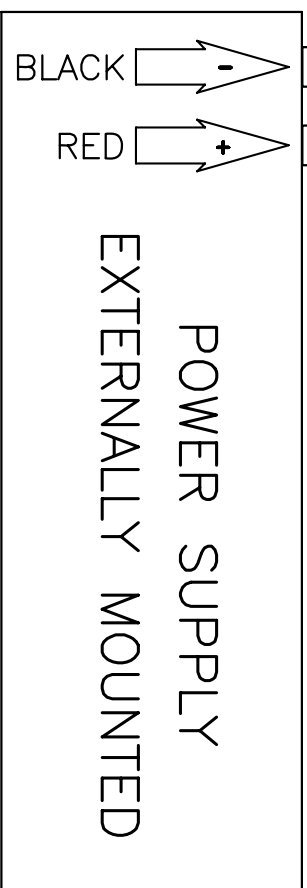
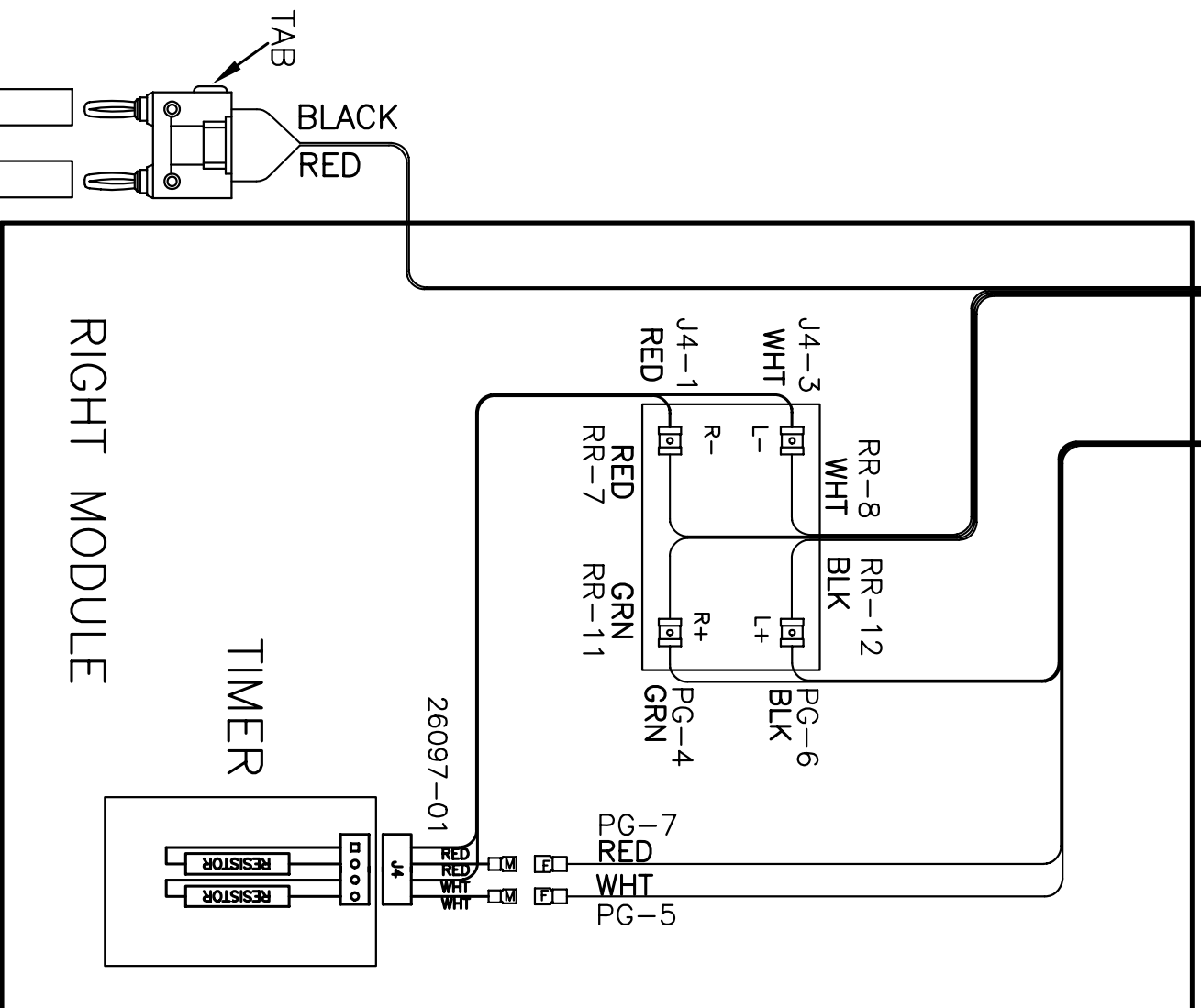
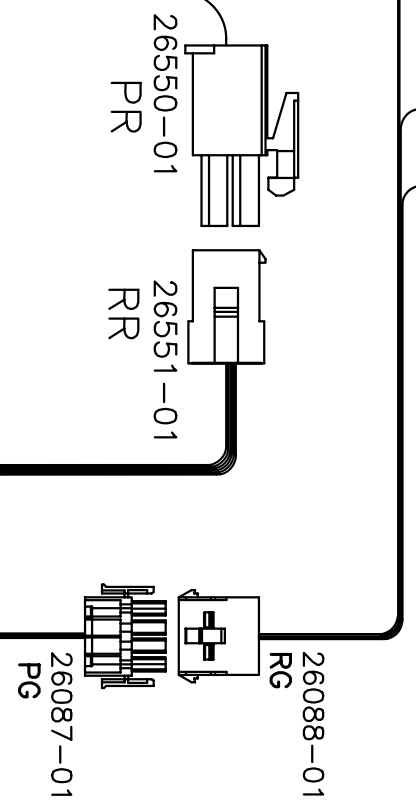
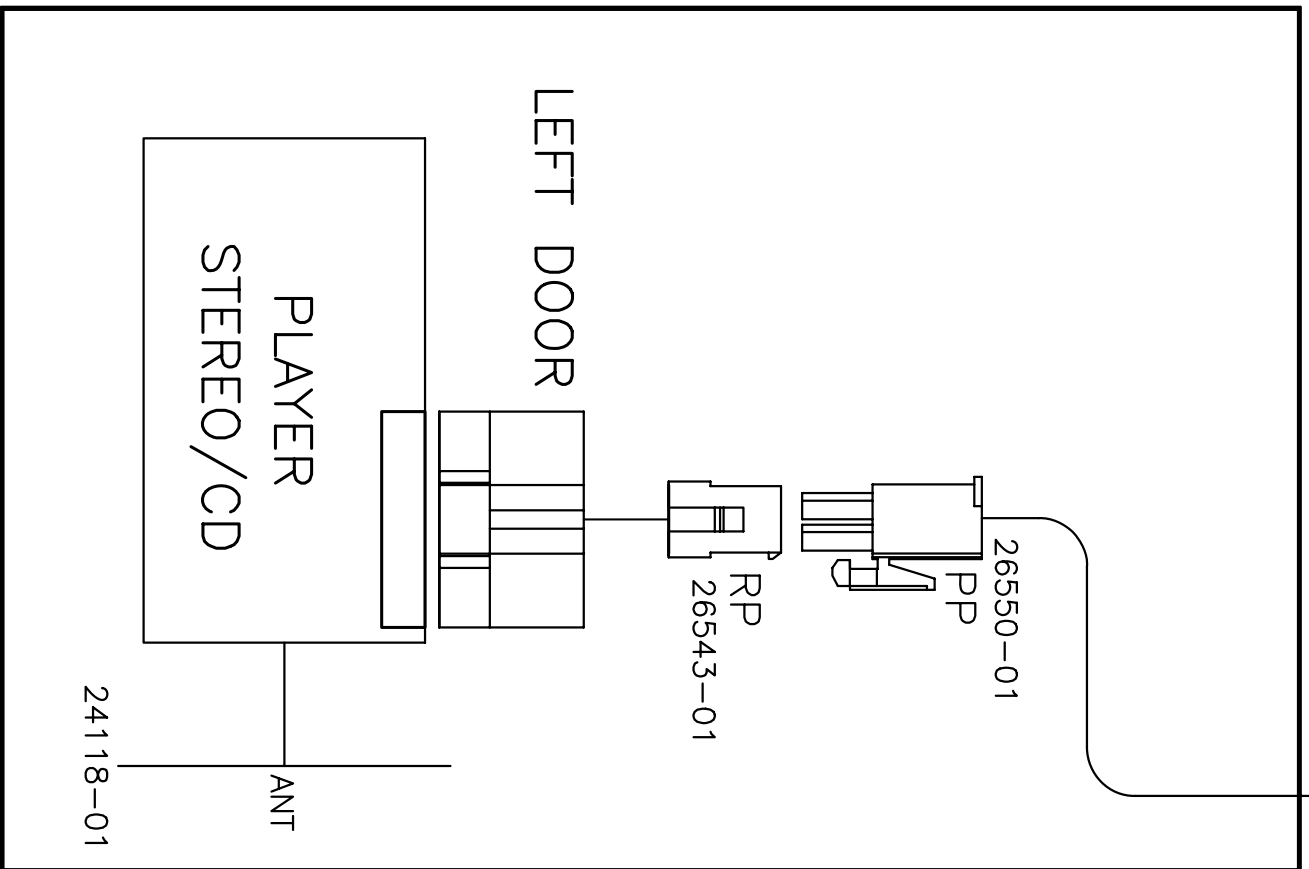
AUDIO SYSTEM FOR ELITE 756V MODELS

26671-02, REV A

WARNING: ALTERING THE DESIGN, TIMER SYSTEM, OR WIRING FROM THAT SHOWN HEREIN, WILL VOID THE WARRANTY, AND MAY RESULT IN A VIOLATION OF FEDERAL LAW.



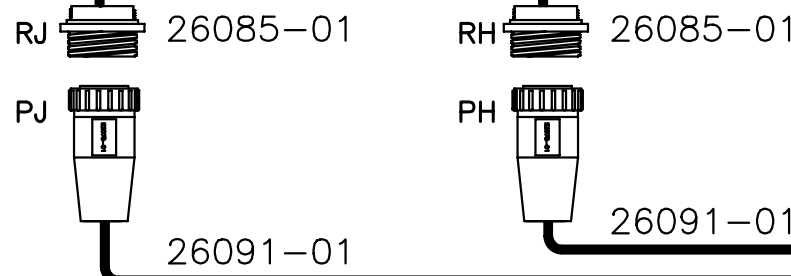
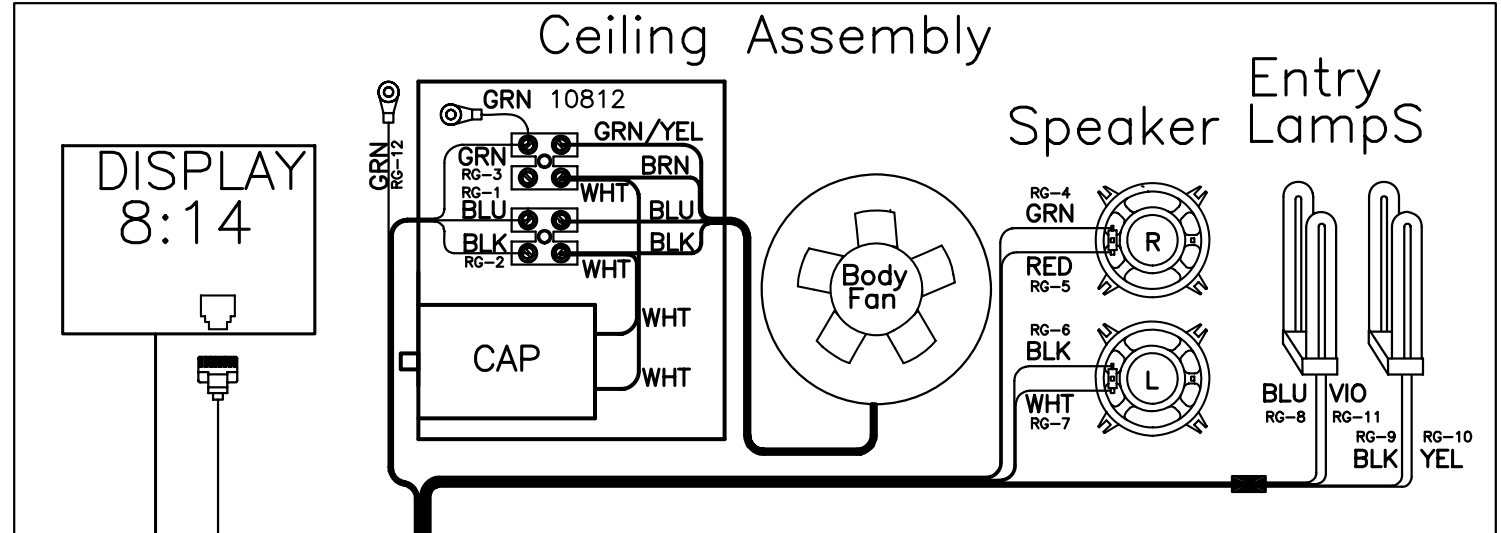
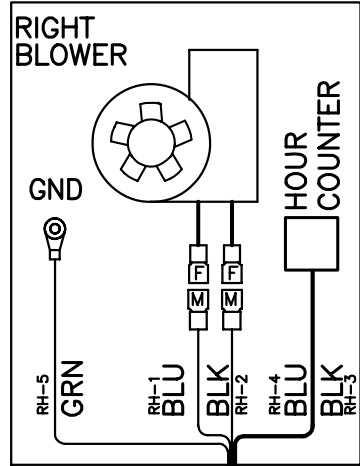
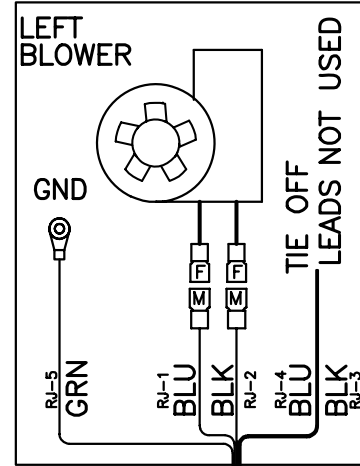
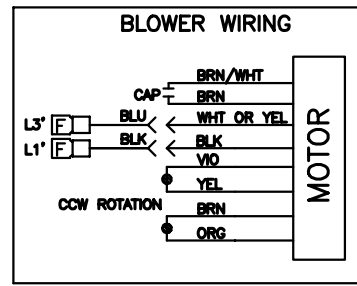
FUNCTION	RP	PP/PR/RR
BATTERY -	BLK-1	BLK-1
BATTERY +	YEL-4	YEL-4
ACCESSORY	RED-4	YEL-4
SPKR L. REAR	GRN/BLK-5	
SPKR L. REAR	GRN-9	
SPKR R. REAR	VO/BLK-6	
SPKR R. REAR	VO-10	
SPKR R. FRONT	GRY/BLK-7	RED-7
SPKR R. FRONT	GRY-11	GRN-11
SPKR L. FRONT	WHT/BLK-8	WHT-8
SPKR L. FRONT	WHT-12	BLK-12



WARNING: ALTERING THE DESIGN, TIMER SYSTEM, OR WIRING FROM THAT SHOWN HEREIN, WILL VOID THE WARRANTY, AND MAY RESULT IN A VIOLATION OF FEDERAL LAW.

INTERCONNECT DIAGRAM 756V

26671-02, REV A



26088-01/26987-01		
PIN	COLOR	FUNCTION
1	BLUE	L1' FAN
2	BLACK	L2' FAN
3	GREEN	GROUND FAN
4	BLACK	R+ SPKR
5	BLACK	R- SPKR
6	BLACK	L+ SPKR
7	BLACK	L- SPKR
8	BLUE	FRONT LIGHT
9	BLACK	REAR LIGHT
10	YELLOW	REAR LIGHT
11	VIOLET	FRONT LIGHT
12	GREEN	GROUND

